

NIKARI

SKANDINAVIA COLLECTION  
FURNITURE FOR educational ENVIRONMENTS

*Nikari is a wood design studio and furniture manufacturer, established in 1967. Our first years were marked by close collaboration with masters of Finnish architecture and design, such as Alvar Aalto and Kaj Franck. The company foundations rest upon the idea of working for bringing out the best of wood in contemporary design. Today Fiskars-based Nikari is run by the next generation of entrepreneurs. The products are delivered to high-quality interiors around the world and the company is well-known amongst professionals by the deep company knowhow in wood design and durable structural solutions.*

## **EDUCATIONAL ENVIRONMENTS**

The Nikari furniture collections include various pieces suitable for safe and comfortable educational environments. This brochure concentrates on some practical examples of the SKANDINAVIA collection.

High-quality wooden furniture is a choice to emphasize **wellbeing**: according to research, wood is a calming material both visually and acoustically. Wooden surfaces are pleasant to touch and feel. Wood is also an excellent, **sustainable choice**. All Nikari products are made in Finland from PEFC certified wood and they are easy to maintain over the years. All our products have a 5-year structure guarantee.

We want to bring our share to the construction of a better future and build beautiful, long-lasting and safe environments that support thorough wellbeing.



**NIKARI**

## CONTENTS

### **SKANDINAVIA** COLLECTION FOR EDUCATIONAL ENVIRONMENTS

- Skandinavia KVT6 chair
- Skandinavia KVT6A chair with armrests
- Skandinavia KVBT6 high chair
- Skandinavia KVJ6 stool
- Skandinavia KVI6 bench
- Skandinavia KVP12 tables
- Skandinavia KVBP12 high table

## SKANDINAVIA

### **Rajatorppa School 2020**

Architecture:

AFKS Arkkitehdit and Arkkitehdit Rudanko+Kankkunen

Interior architecture:

Haptic Oy



## SKANDINAVIA

SKANDINAVIA products are made for active contract use.

- The products suit schools and other public premises that require quality, functionality and calming esthetics.
- The table sizes can be modified according to the needs of different areas.
- The product structure solutions are made following the most durable traditional solid wood joinery.

<b>Designer</b>	Kari Virtanen
<b>Design Year</b>	2014-2015
<b>Material</b>	birch, ash or oak
<b>Top surfaces</b>	wood veneer or laminate
<b>Surface treatment</b>	matte lacquer, stain or paint (NCS colours)



KVT6  
CHAIR



KVT6A  
CHAIR WITH  
ARMRESTS



KVBT6  
HIGH CHAIR



KVJ6  
STOOL



KVI6  
BENCH



KVP12  
TABLES



KVBP12  
HIGH TABLES

NIKARI

## SKANDINAVIA



When needed, it is possible to add acoustic plates underneath the seats and tops.



The chairs can be lifted and attached to the table to make cleaning easier. Ask for the hanging solution.

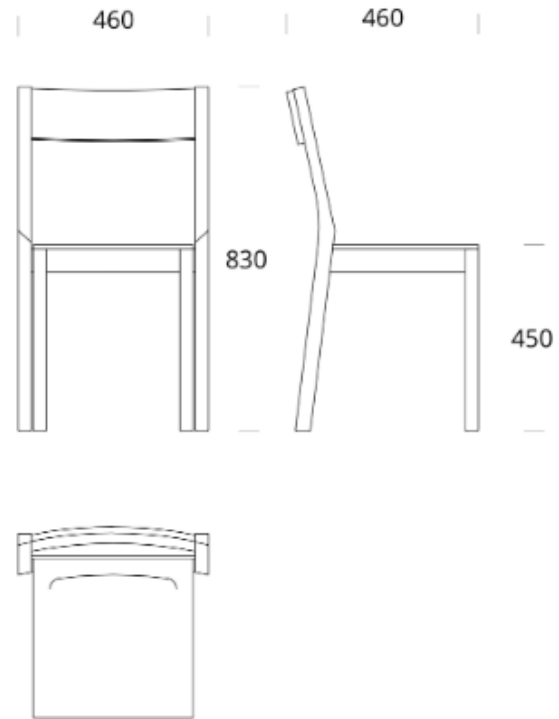
NIKARI

## SKANDINAVIA CHAIR KVT6

Skandinavia KVT6 chair is designed for active contract use. It is available in matte lacquer, stain or paint.

The body of the chair is solid wood and the seat is molded plywood. The seat can be also upholstered – the upholstery is attached with screws for easy replacements.

KVT6 chair is light and therefore easy to move and stack. The practical and durable hanging solution with SKANDINAVIA table helps the cleaning.



## SKANDINAVIA CHAIR KVT6

### PRODUCT INFO

- stackable
- options: linking device, acoustic plate, chair carriage, hanging solution
- the seat can be upholstered (fabric quantity 0,5m)
- felt or plastic foot glides are mounted for durability and they are replaceable
- available also: chair with armrests (KVT6A) and a high chair version (KVBT6)

### MATERIALS

- birch
- ash
- oak
- painted or stained birch

### SURFACE TREATMENT

- water-based lacquer
- stained
- painted

### MEASURES

- width 460mm, depth 460mm, height 830/450mm

### UPHOLSTERY OPTIONS

- fabric 1 Roccia by Fidivi
- fabric 2 Techno by Nevotex
- fabric 3 Flamenco by Fidivi
- fabric 4 Steelcut Trio by Kvadrat
- fabric 5 COM
- leather 1 Elmosoft by Elmo



NIKARI

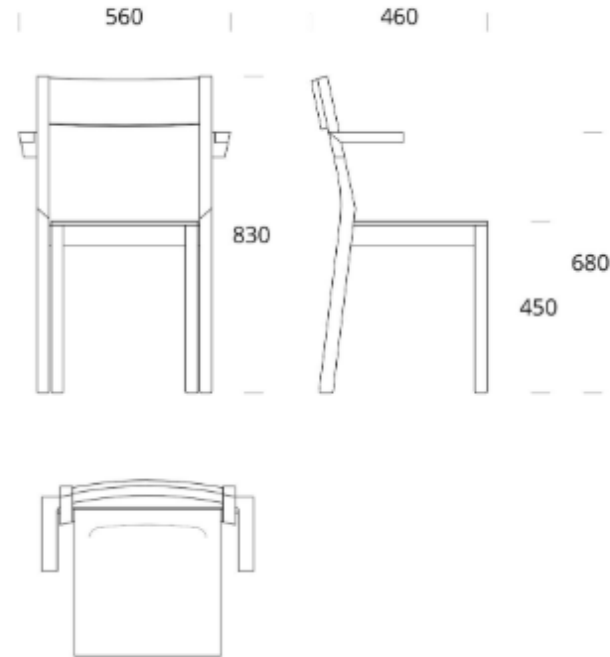


## SKANDINAVIA CHAIR KVT6A

Skandinavia KVT6A chair is the armrest version of KVT6 chair.

The measures are otherwise the same, except for the armrests, that bring +5cm to each side. The chair can be hung by the armrests on the table to help cleaning.

All the optional equipment are also available for KVT6A, for example the hanging solution together with the SKANDINAVIA KVP12 table.



NIKARI

## SKANDINAVIA HIGH CHAIR KVBT6

### PRODUCT INFO

- stackable
- option: acoustic plate
- option: seat upholstery
- felt or plastic foot glides are mounted for durability and they are replaceable

### MATERIALS

- birch
- ash
- oak

### SURFACE TREATMENT

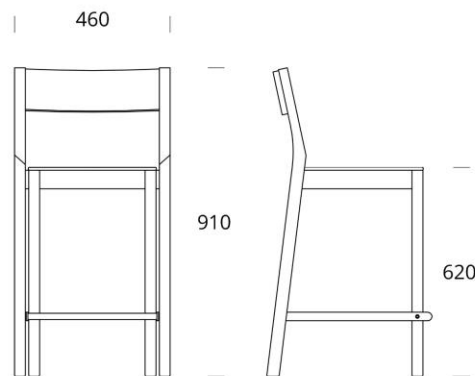
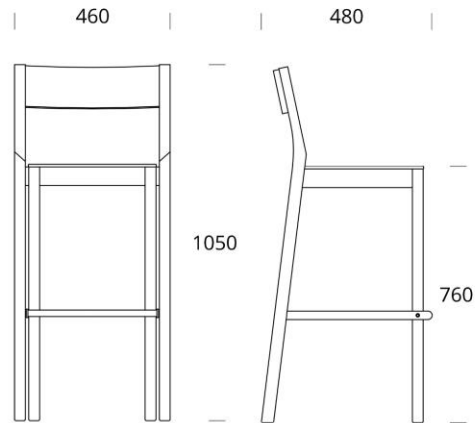
- water-based lacquer
- stained
- painted

### MEASURES

- width 460mm, depth 480mm, height 1050/760mm

### UPHOLSTERY OPTIONS

- fabric 1 Roccia by Fidiv
- fabric 2 Techno by Nevotex
- fabric 3 Flamenco by Fidivi
- fabric 4 Steelcut Trio by Kvadrat
- fabric 5 COM
- leather 1 Elmosoft by Elmo



## SKANDINAVIA STOOL KVJ6

### PRODUCT INFORMATION

- stackable
- option: acoustic plate
- option: hanging solution
- felt or plastic foot glides are mounted for durability and they are replaceable

### MATERIALS

- birch
- ash
- oak

### SEAT MATERIALS

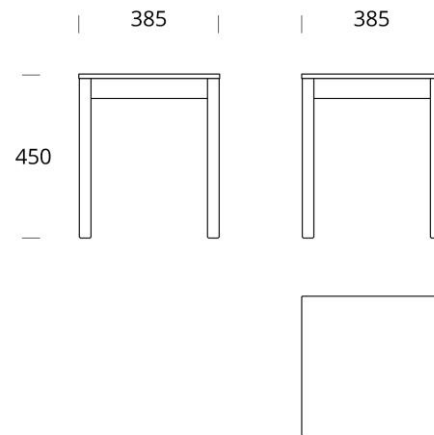
- wood veneer
- laminate

### SURFACE TREATMENT

- water-based lacquer
- stained
- painted

### MEASURES

- width 385mm, depth 385mm, height 450mm



## SKANDINAVIA PENKKI KV16

### PRODUCT INFORMATION

- options: acoustic plate
- felt or plastic foot glides are mounted for durability and they are replaceable

### MATERIALS

- birch
- ash
- oak
- painted or stained birch

### SEAT MATERIALS

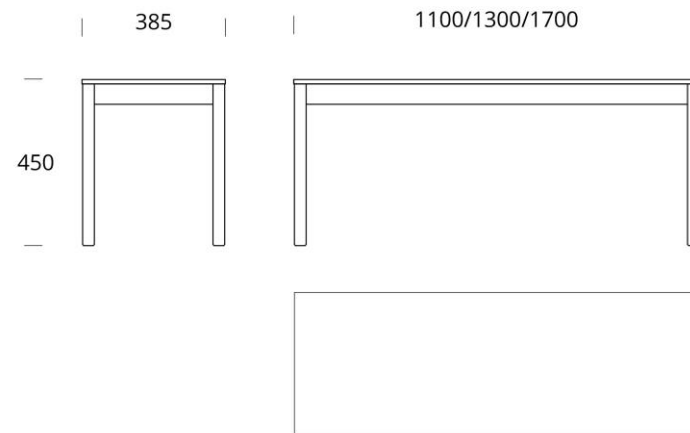
- wood veneer
- laminate

### SURFACE TREATMENT

- water-based lacquer
- stained
- painted

### MEASURES

- width 1100, depth 385, height 450mm
- width 1300, depth 385, height 450mm
- width 1700, depth 385, height 450mm



NIKARI

## SKANDINAVIA KVP12 TABLES

Skandinavia KVP12 table measures can be modified. The same design esthetics are very visible in high tables (KVBP12), square and rectangular, as well as round tables. The surface material options are wood veneer or laminate.

### PRODUCT INFORMATION

- option: acoustic plate
- option: hanging solution for chairs
- felt or plastic foot glides are mounted for durability and they are replaceable

### MATERIALS

- birch
- ash
- oak

### TABLE TOP MATERIALS

- wood veneer
- laminate

### SURFACE TREATMENT

- water-based lacquer
- stained
- painted

### MEASURES

- length 700, width 700mm, height 750mm
- length 1200, width 600mm, height 750mm
- length 1400, width 700mm, height 750mm
- length 1400, width 1400mm, height 750mm
- length 1800, width 900mm, height 750mm
- diameter 1100mm, height 750mm



NIKARI

## SKANDINAVIA KVBP12 HIGH TABLE

### PRODUCT INFORMATION

- option: acoustic plate
- felt or plastic foot glides are mounted for durability and they are replaceable

### MATERIALS

- birch
- ash
- oak

### TABLE TOP MATERIALS

- wood veneer
- laminate

### SURFACE TREATMENT

- water-based lacquer
- stained
- painted
- metal foot rest epoxy coated in dark grey (RAL7021)

### MEASURES

- length 700mm, width 700mm, height 1050mm or 900mm
- length 1200mm, width 600mm, height 1050mm or 900mm
- length 1400mm, width 700mm, height 1050mm or 900mm



# NIKARI

Nikari Oy  
Peltorivi  
10470 Fiskars  
Finland

tel +358 (0)10 315 1310  
[sales@nikari.fi](mailto:sales@nikari.fi)  
[www.nikari.fi](http://www.nikari.fi)

@nikarioy

Copyright © 2020 NIKARI, All rights reserved.